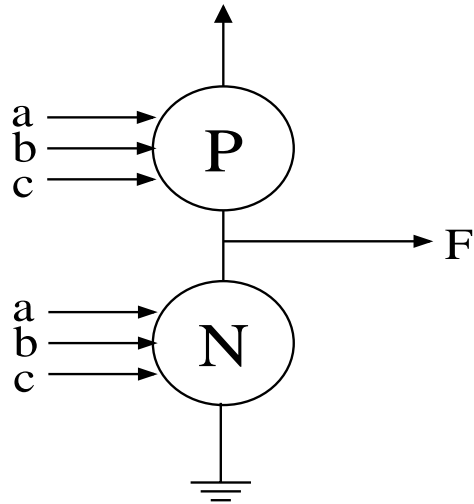


2.8 Static CMOS.



We have $\bar{F} = S_n \Leftrightarrow F = \bar{S}_n$

$$S_n = ab + ac + bc \Rightarrow F = \bar{S}_n = \overline{ab + ac + bc}$$

or $F = S_p = (\bar{a} + \bar{b})(\bar{a} + \bar{c})(\bar{b} + \bar{c}) = (\bar{a}\bar{b})(\bar{a}\bar{c})(\bar{b}\bar{c}) = \overline{ab + ac + bc}$