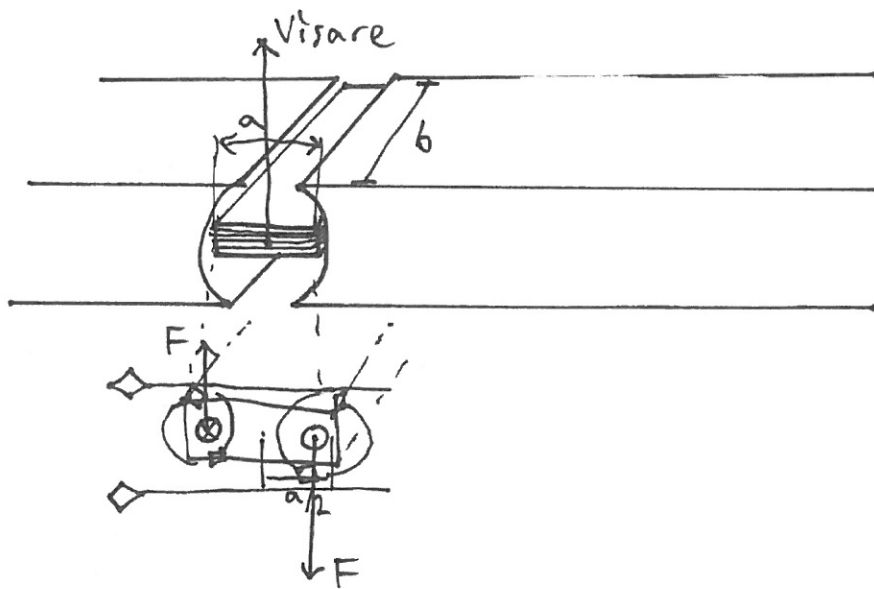


A 5.5)



$$N = 80$$

$$a = 0.025 \text{ m}$$

$$b = 0.020 \text{ m}$$

$$B = 0.6 \frac{\text{Vs}}{\text{m}^2}$$

$$I = 0.010 \text{ A}$$

$$F = B \cdot I \cdot \underset{b \uparrow}{L} \cdot N = 0.6 \cdot 0.01 \cdot 0.02 \cdot 80 = 9.6 \text{ mN}$$

$$M = 2 \cdot F \cdot a/2 = F \cdot a = 9.6 \text{ m} \cdot 0.025 \text{ m} = 0.24 \text{ m Nm}$$

$$M = 0.24 \text{ m Nm}$$